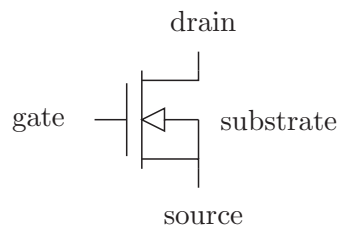


MOSFETs and Applications

MOSFET Physics



n-channel enhancement mode MOSFET

Figure 1: n-channel enhancement mode MOSFET.

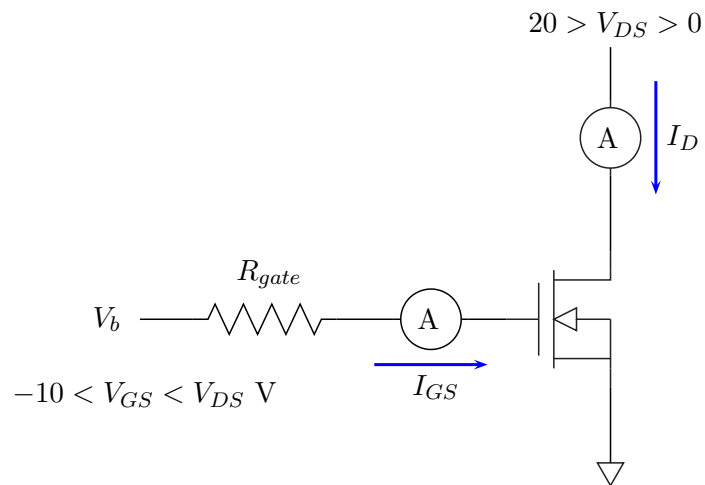


Figure 2: n-channel enhancement mode MOSFET channel resistance measurement.

Common Source Amplifier

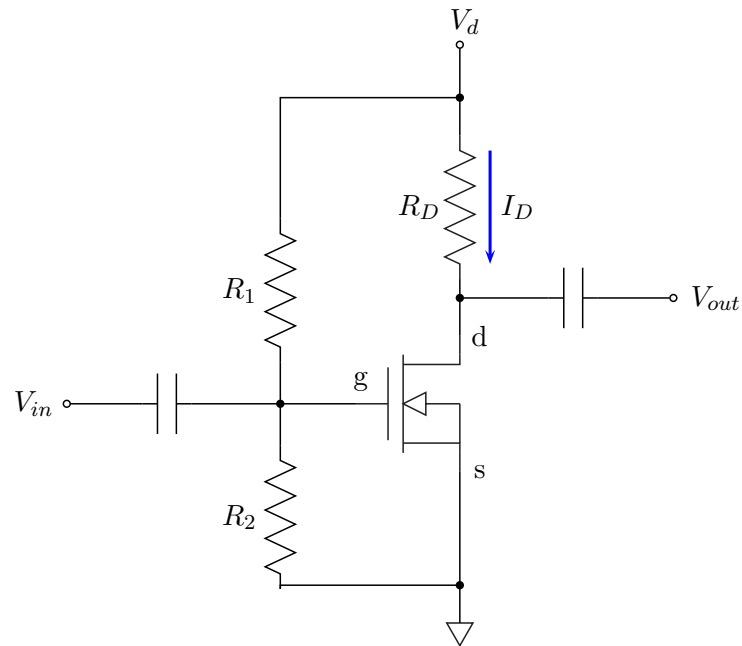


Figure 3: In the common source amplifier configuration the DC (zero frequency) operating point is determined by the DC bias current controlled by R_1 and R_2 .

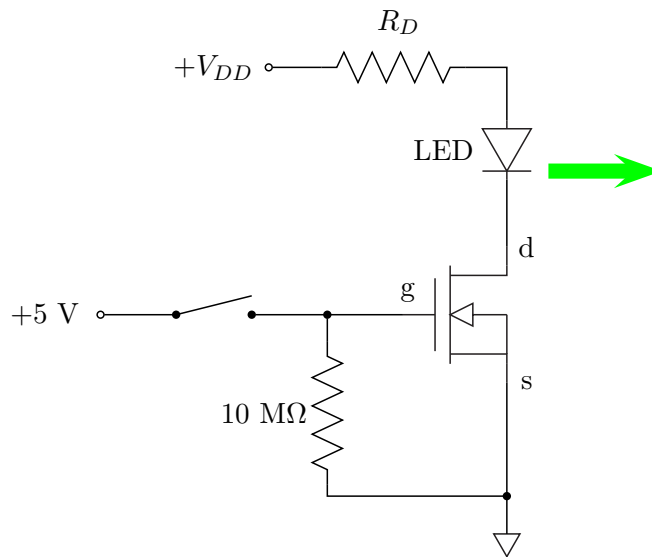


Figure 4: Saturated switch mosfet driving an led.

Common Drain Amplifier

?

Colpitts Oscillator

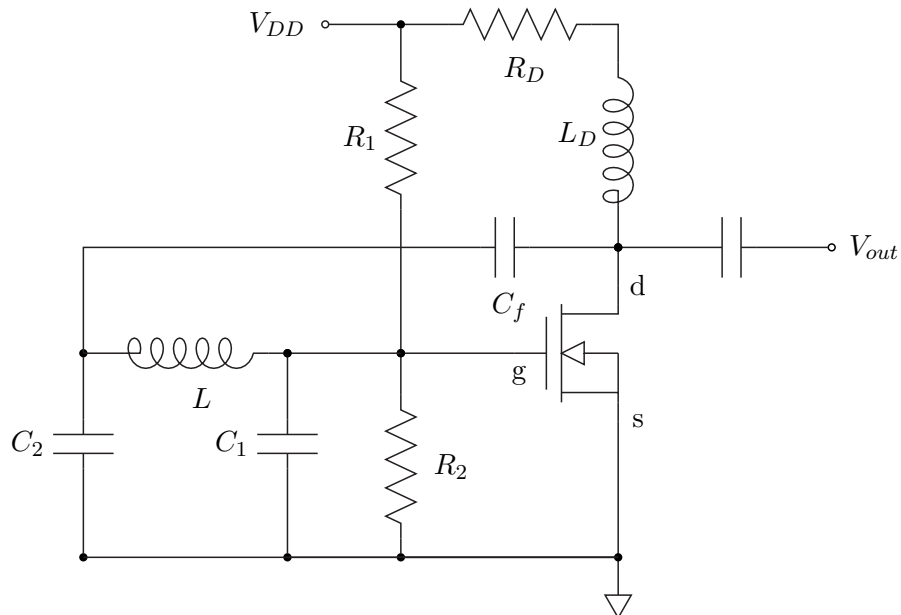


Figure 5: LC Colpitts oscillator using an n-channel enhancement mode MOSFET.