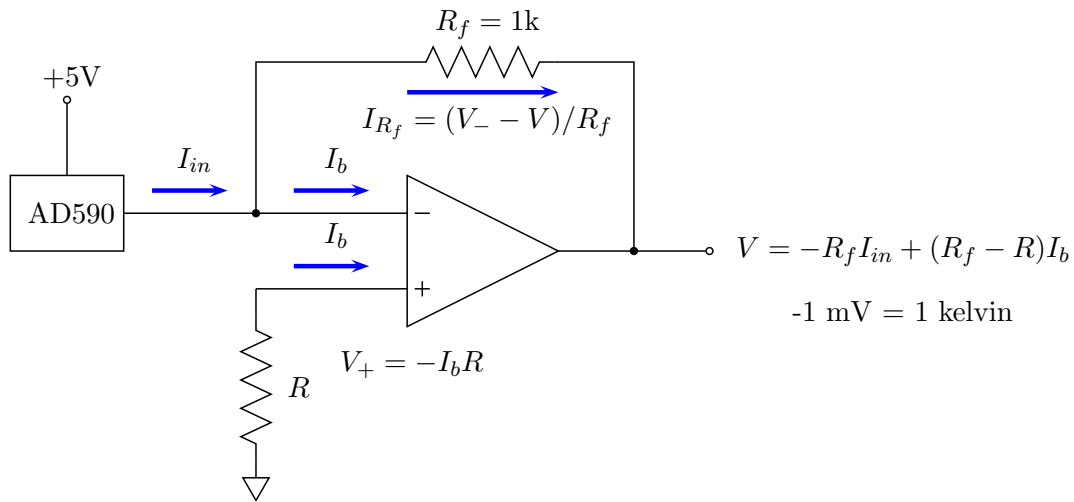
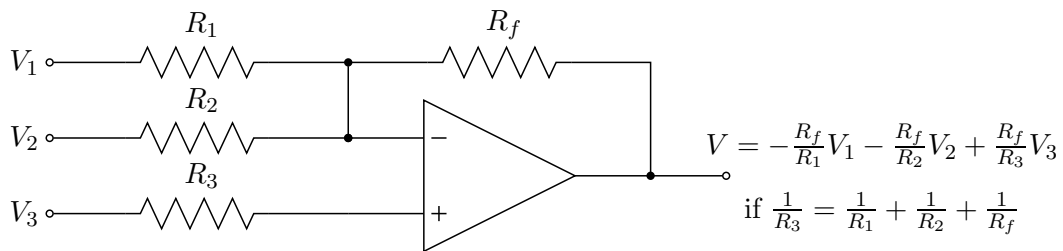
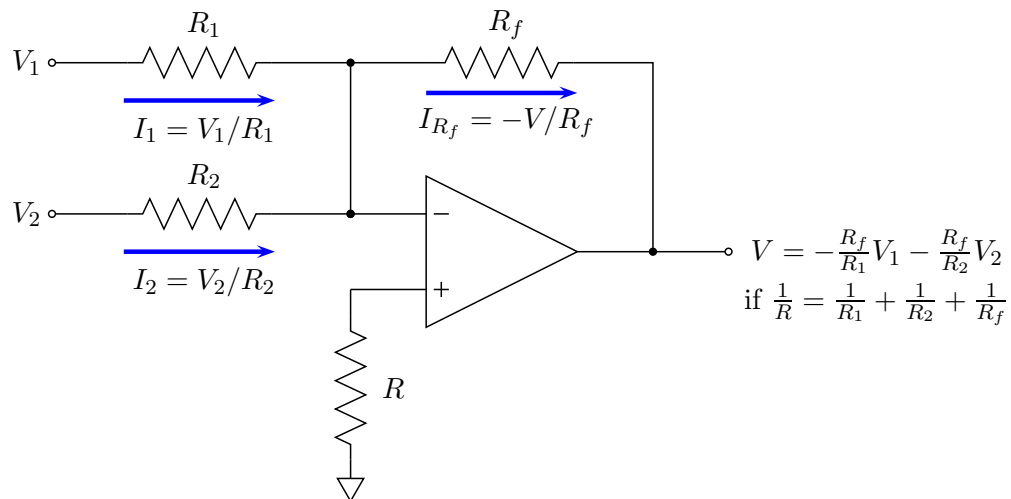


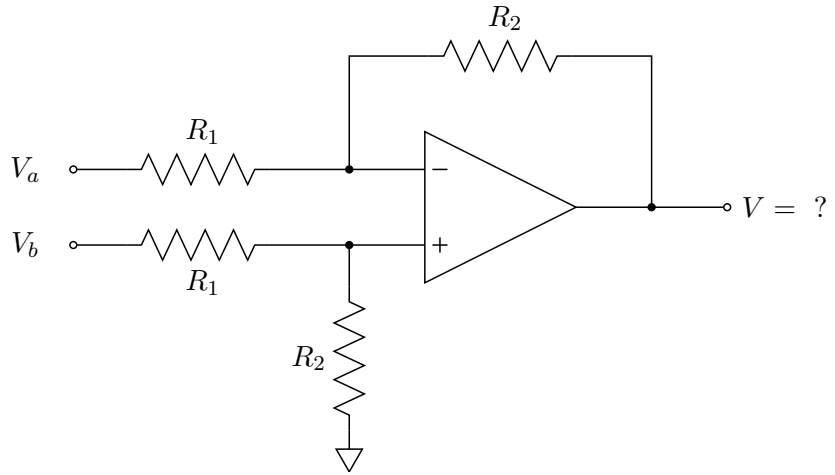
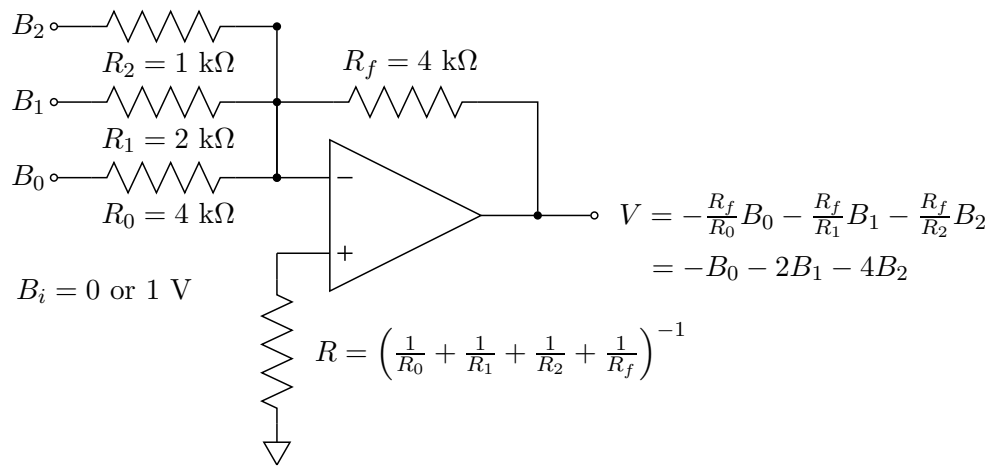
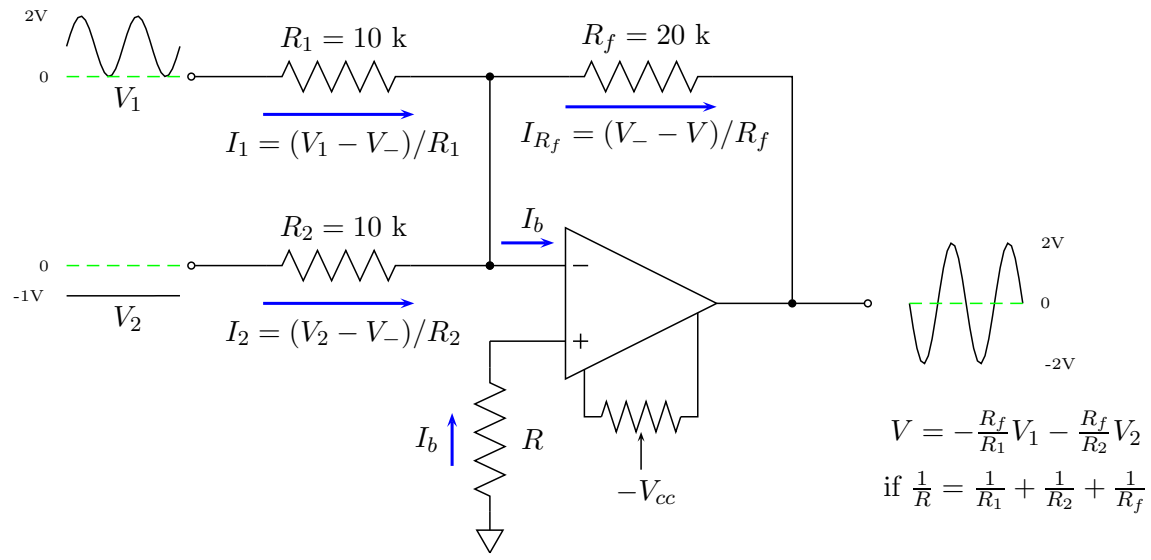
Operational Amplifier Applications

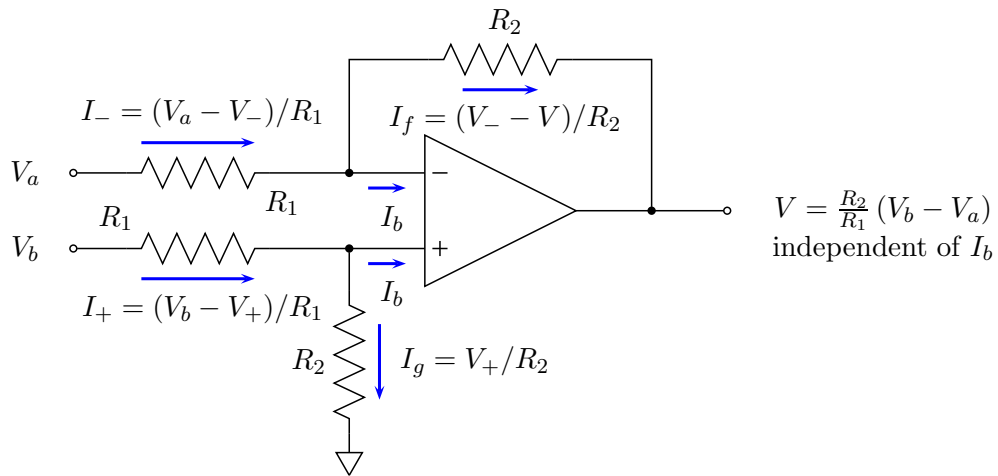
Transimpedance Amplifier



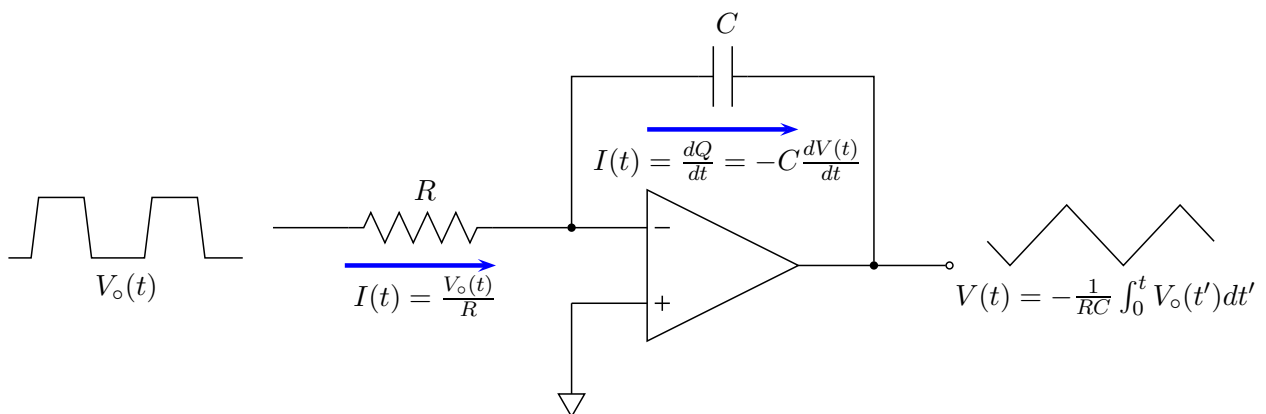
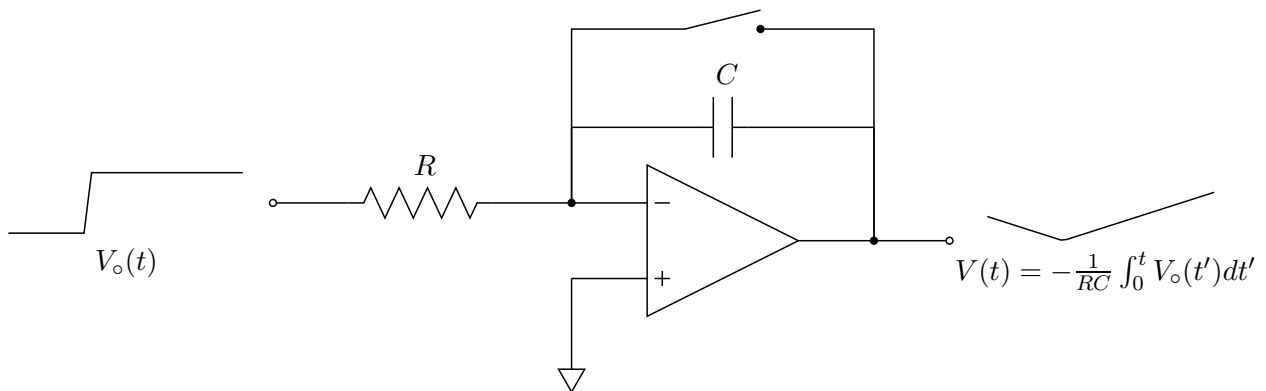
Sum and Difference Amplifiers

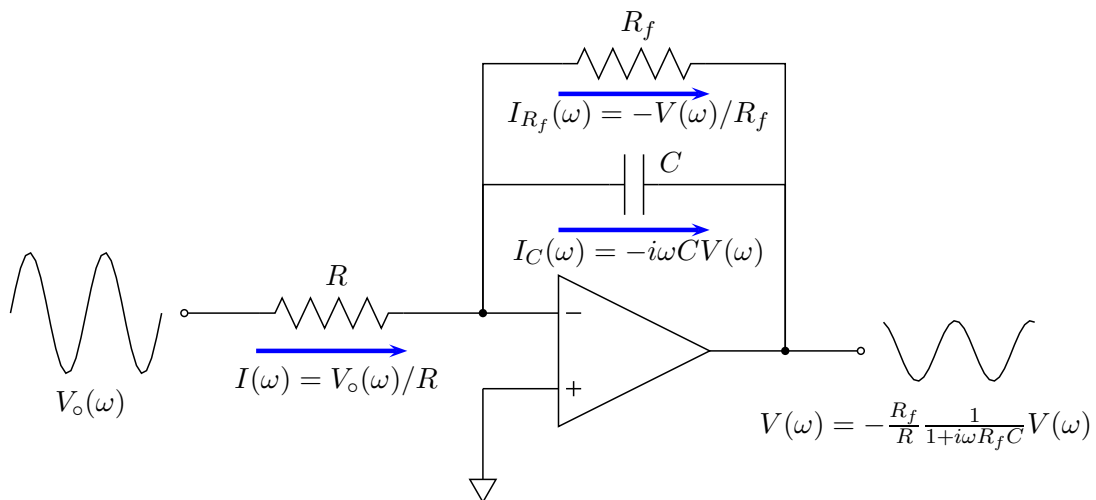
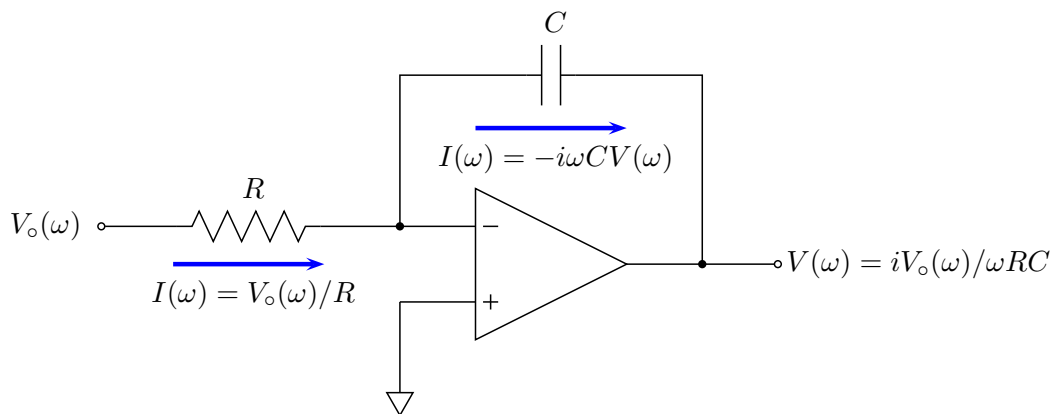
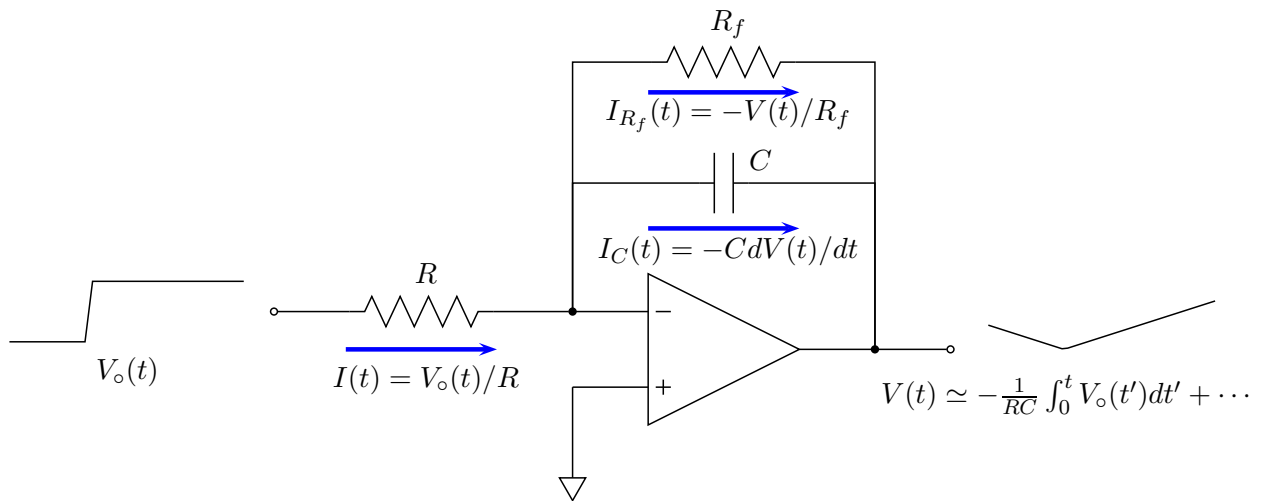




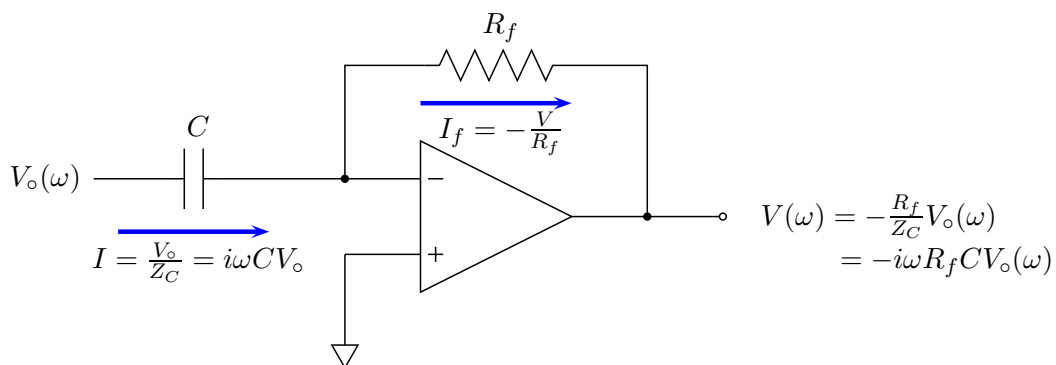
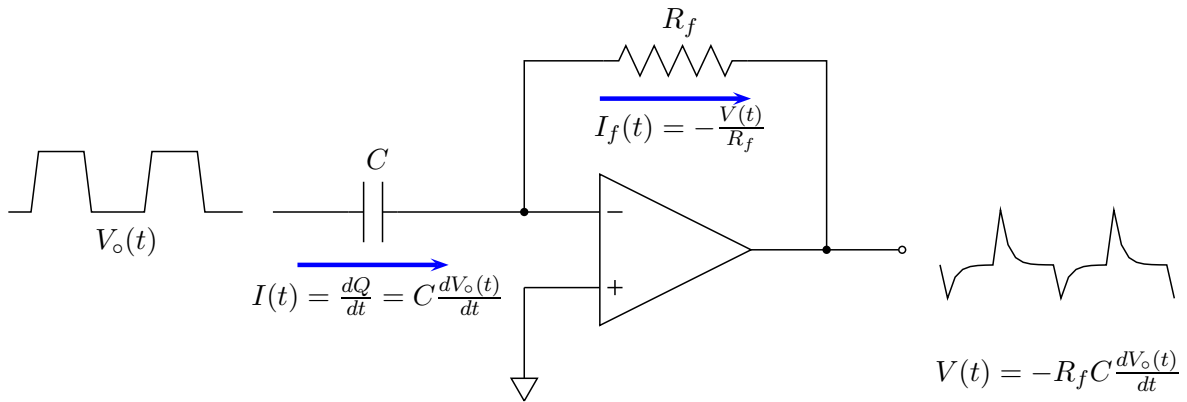


Integrating and Low-Pass Amplifiers

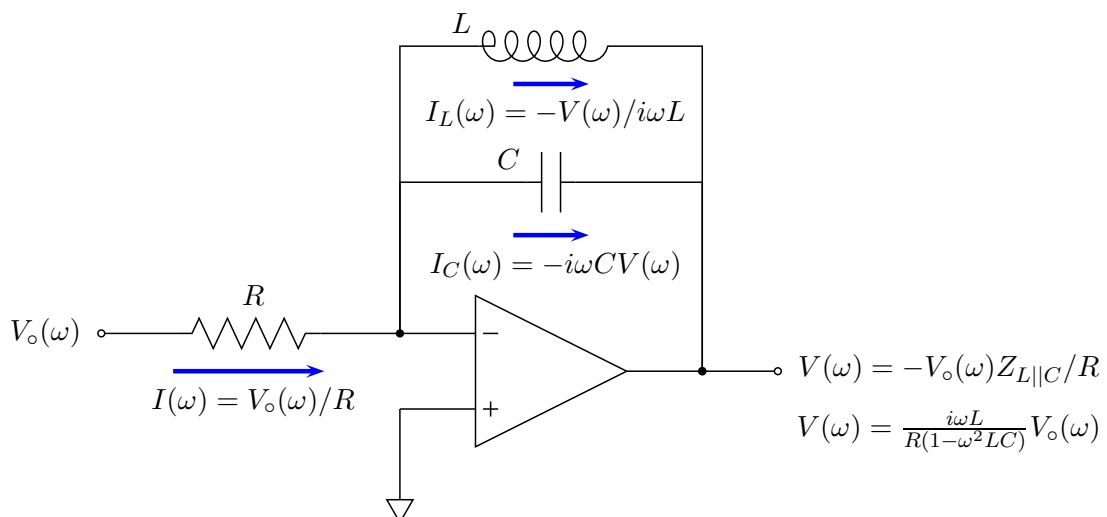


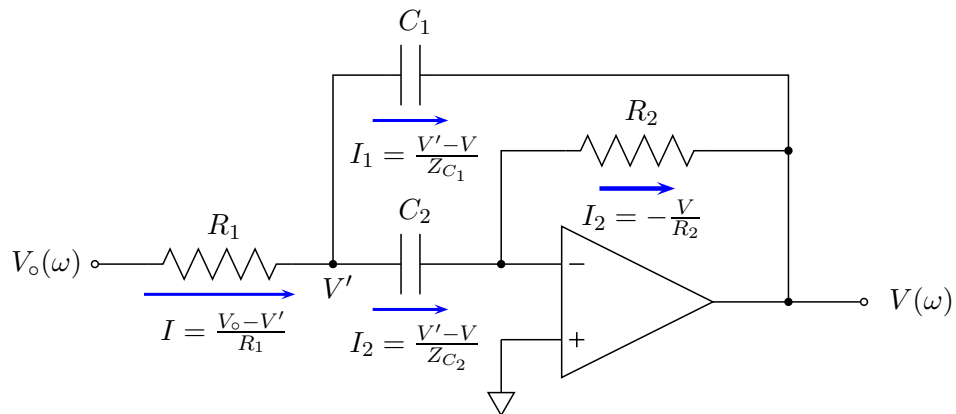
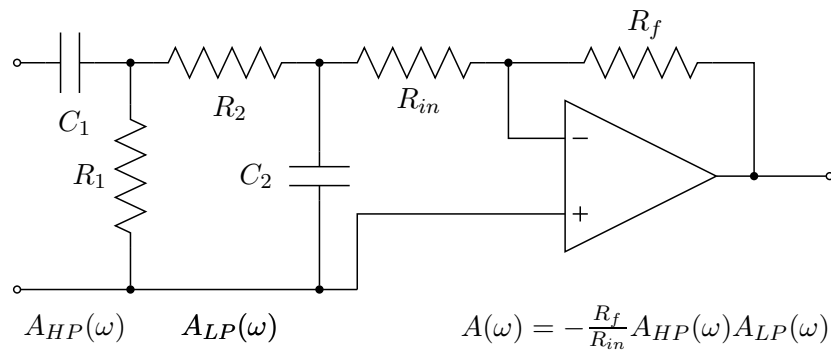
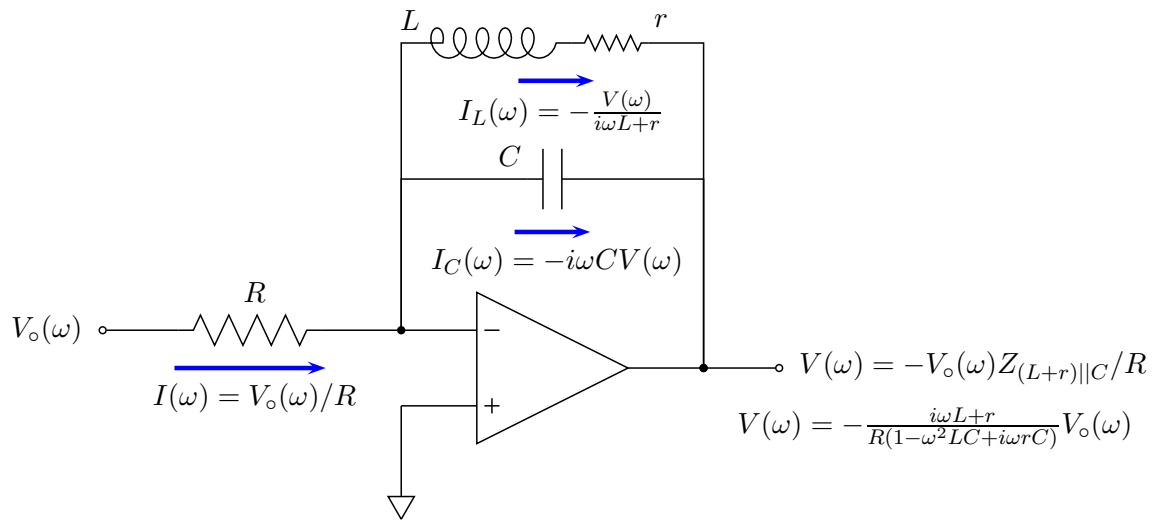


Differentiating and High-Pass Amplifiers



Band-Pass Amplifiers





Notch Filter Amplifiers

