

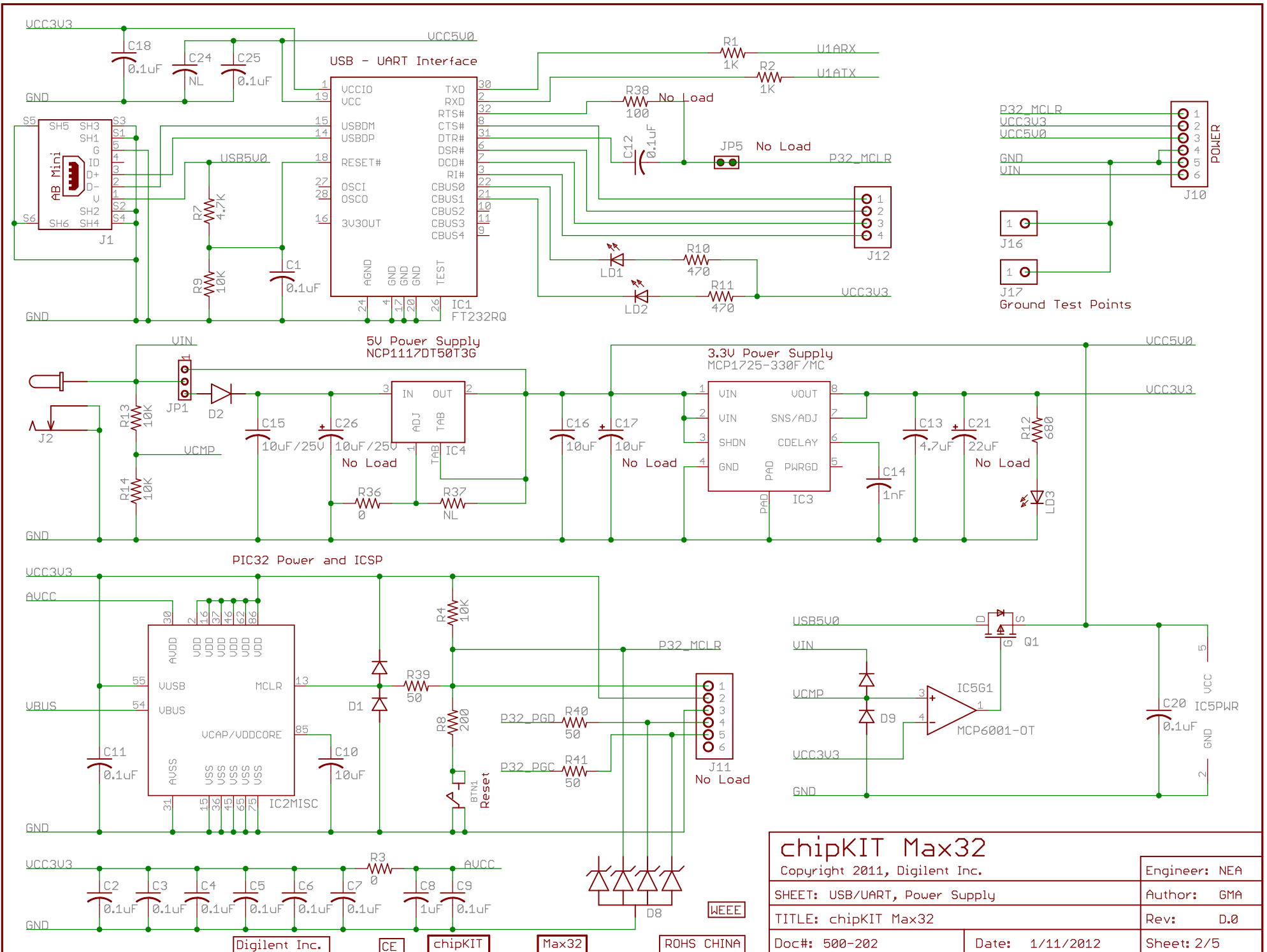
# chipKIT™ Max32™ Reference Design

Digilent chipKIT hardware files are licensed under the Creative Commons Attribution-ShareAlike license. This license allows for both personal and commercial derivative works, as long as proper credit is given to Digilent and the designs are released under the same license.

[www.creativecommons.org/licenses/by-sa/3.0/](http://www.creativecommons.org/licenses/by-sa/3.0/)

Reference designs are provided "AS IS" and "WITH ALL FAULTS". Digilent disclaims all other warranties express or implied, regarding this product, including but not limited to, any implied warranties of merchantability or fitness for any particular application. Digilent may make changes to specifications and product descriptions at any time, without notice.

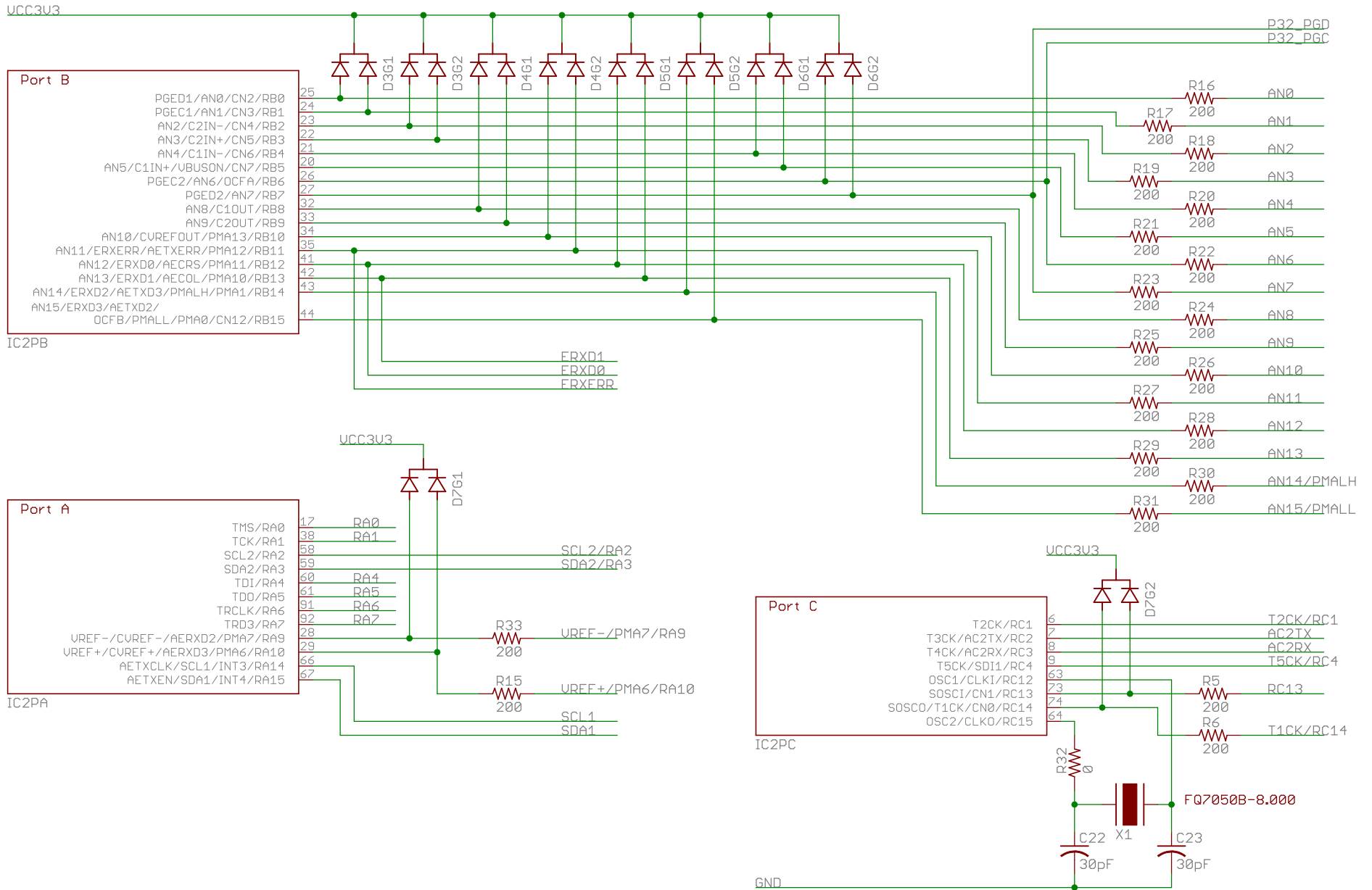
<b>chipKIT Max32</b>		
Copyright 2011, Digilent Inc.		Engineer: NEA
SHEET: License Agreement		Author: GMA
TITLE: chipKIT Max32		Rev: D.0
Doc#: 500-202	Date: 1/11/2012	Sheet: 1/5



## chipKIT Max32

Copyright 2011, Digilent Inc.	Engineer: NEA
SHEET: USB/UART, Power Supply	Author: GMA
TITLE: chipKIT Max32	Rev: D.0
Doc#: 500-202	Date: 1/11/2012
	Sheet: 2/5

PIC32 I/O



chipKIT Max32

Copyright 2011, Digilent Inc.

Engineer: NEA

SHEET: PIC32 I/O

Author: GMA

TITLE: chipKIT Max32

Rev: D.0

Doc#: 500-202

Date: 1/11/2012

Sheet: 3/5

Note: IC2 - PIC32MX775F256L, PIC32MX775F512L, or PIC32MX795F512L

PIC32 I/O

Port D

SD01/OC1/INT0/RD0	72	OC1/RD0
OC2/RD1	76	OC2/RD1
OC3/RD2	77	OC3/RD2
OC4/RD3	78	OC4/RD3
OC5/PMWR/CN13/RD4	81	OC5/PMWR/RD4
PMRD/CN14/RD5	82	PMRD/RD5
ETXEN/PMD14/CN15/RD6	83	ETXEN/RD6
ETXCLK/PMD15/CN16/RD7	84	RD7
RTCC/EMDIO/AEMDIO/IC1/RD8	68	FMDIO
SS1/IC2/RD9	69	RD9
SCK1/IC3/PMCS2/PMA15/RD10	70	PMCS2
EMDC/AEMDC/IC4/PMCS1/PMA14/RD11	71	EMDC/PMCS1
ETXD2/IC5/PMD12/RD12	79	IC5
ETXD3/PMD13/CN19/RD13	80	RD13
AETXD0/SS1A/U1BRX/U1ACTS/CN20/RD14	47	U1BRX
AETXD1/SCK1A/U1BTX/U1ARTS/CN21/RD15	48	U1BTX

IC2PD

Port F

C1RX/ETXD1/PMD11/RF0	87	FTXD1
C1TX/ETXD0/PMD10/RF1	88	FTXD0
SDA1A/SDI1A/U1ARX/RF2	52	U1ARX
USBID/RF3	51	USBID
SDA3A/SDI3A/U3ARX/PMA9/CN17/RF4	49	U3ARX
SCL3A/SDO3A/U3ATX/PMA8/CN18/RF5	50	U3ATX
SCL1A/SDO1A/U1ATX/RF8	53	U1ATX
AC1RX/SS3A/U3BRX/U3ACTS/RF12	40	U3BRX/AC1RX/RF12
AC1TX/SCK3A/U3BTX/U3ARTS/RF13	39	U3BTX/AC1TX/RF13

IC2PF

Port E

PMD0/RE0	93	PMD0
PMD1/RE1	94	PMD1
PMD2/RE2	98	PMD2
PMD3/RE3	99	PMD3
PMD4/RE4	100	PMD4
PMD5/RE5	3	PMD5
PMD6/RE6	4	PMD6
PMD7/RE7	5	PMD7
AERXD0/INT1/RE8	18	INT1/RE8
AERXD1/INT2/RE9	19	INT2/RE9

IC2PE

Port G

C2RX/PMD8/RG0	90	RG0
C2TX/ETXERR/PMD9/RG1	89	RG1
D+/RG2	57	USB+
D-/RG3	56	USB-
ECOL/SCK2A/U2BTXU2ARTS/PMA5/CN8/RG6	10	PMA5/SCK2A/RG6
ECRS/SDA2A/SDI2A/U2ARX/PMA4/CN9/RG7	11	PMA4/SDI2A/RG7
ERXD0/AERXD0/ECRS0U/AECRS0U/ SCL2A/SDO2A/U2ATX/PMA3/CN10/RG8	12	PMA3/ECRS0U/SDO2A/RG8
ERXCLK/AERXCLK/EREFCLK/AEREFCLK/ SS2A/U2BRX/U2ACTS/PMA2/CN11/RG9	14	PMA2/EREFCLK/SS2A/RG9
TRD1/RG12	96	RG12
TRD0/RG13	97	RG13
TRD2/RG14	95	RG14
AERXERR/RG15	1	RG15

IC2PG

chipKIT Max32

Copyright 2011, Digilent Inc.

Engineer: NEA

SHEET: PIC32 I/O

Author: GMA

TITLE: chipKIT Max32

Rev: D.0

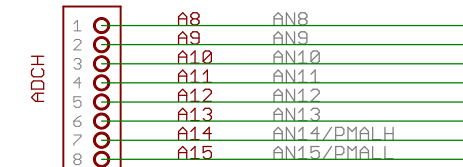
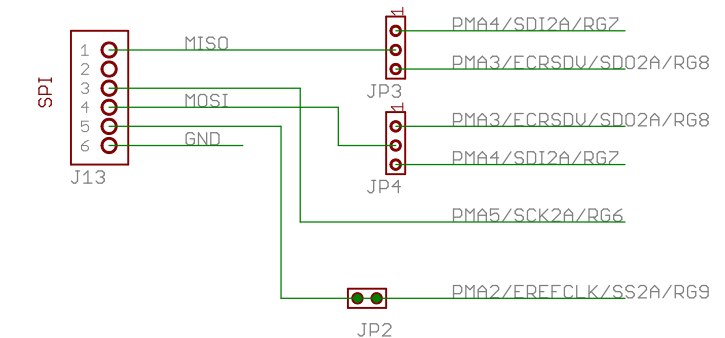
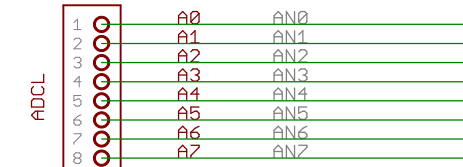
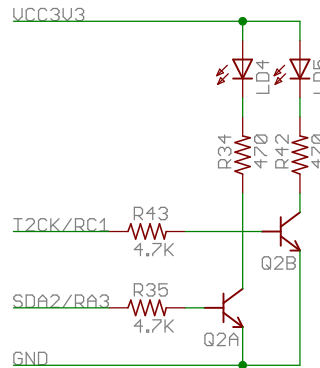
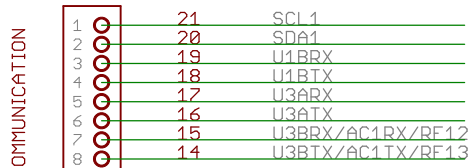
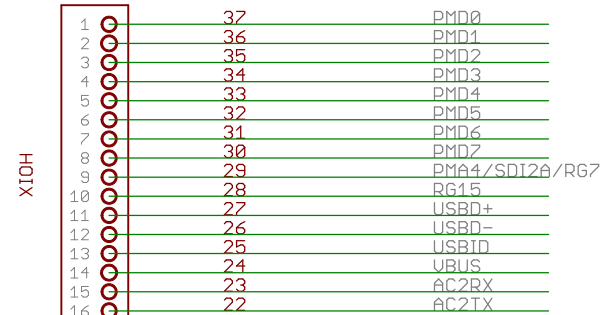
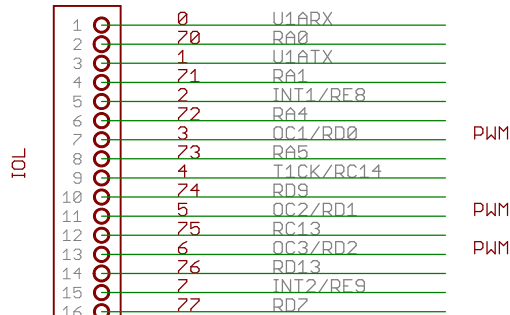
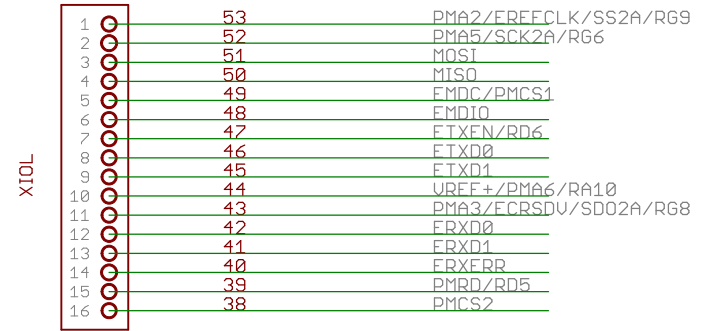
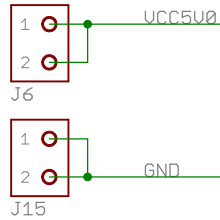
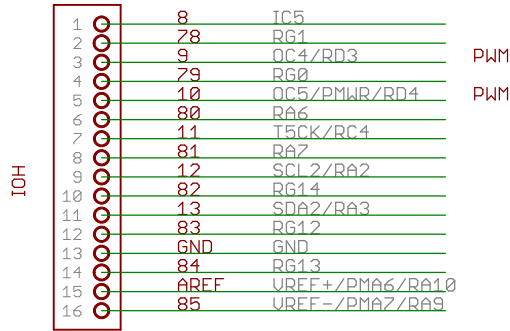
Doc#: 500-202

Date: 1/11/2012

Sheet: 4/5

SILK

I/O Connectors



chipKIT Max32

Copyright 2011, Digilent Inc.

Engineer: NEA

SHEET: I/O Connectors

Author: GMA

TITLE: chipKIT Max32

Rev: D.0

Doc#: 500-202

Date: 1/11/2012

Sheet: 5/5