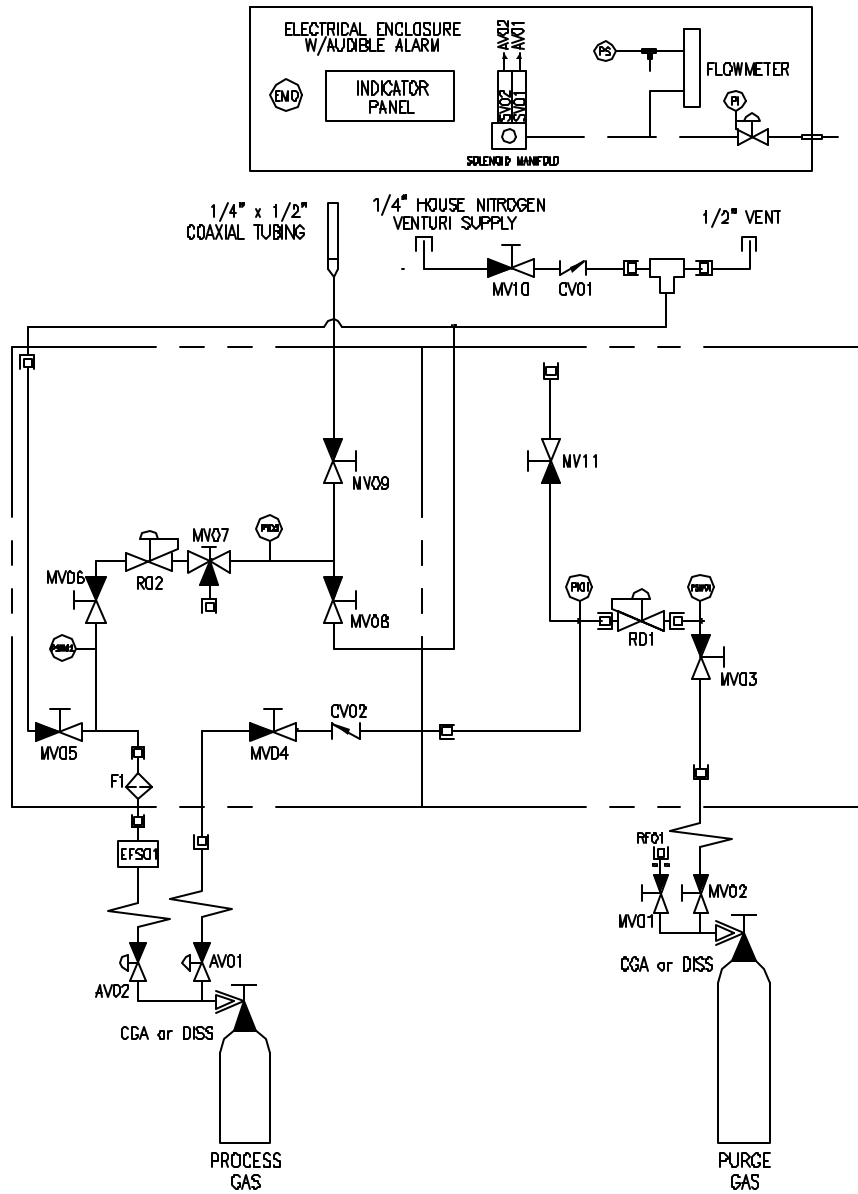


REVISION BLOCK		
REV.	DESCRIPTION	DATE
2	CORRECTED AV01/AV02 LABELS	4-25-03



**TOLERANCE BLOCK:**

ORIGINALS:  
XX ± 0.030  
XXX ± 0.030  
XXXX ± 0.010

ANGULAR:  
± 1°  
DIMENSIONS ARE  
IN INCHES

**MATERIALS USED:**

**FINISH REQUIRED:**



**PROCESS TUBE SYSTEMS INC.**

**APPROVALS**

**DATE**

**TITLE OR DESCRIPTION:**

**GAS SCHEMATIC  
MANUAL 2 CYLINDER CABINET**

SIZE	AUTORD FILE:	DRAWING NUMBER:	REV
A	OSD1000-001S	OS01000-001S	2

THIS DOCUMENT CONTAINS CONFIDENTIAL OR PROPRIETARY INFORMATION OF PROCESS TUBE SYSTEMS INC. NEITHER THE DOCUMENT NOR THE INFORMATION CONTAINED THEREIN IS TO BE REPRODUCED, DISTRIBUTED, USED OR DISCLOSED EITHER IN PART OR IN WHOLE EXCEPT AS SPECIFICALLY AUTHORIZED BY PROCESS TUBE SYSTEMS INC. AND MUST BE RETURNED PROMPTLY WITH COMPLETE MATERIAL OR QUOTATION OR UPON REQUEST OF PROCESS TUBE SYSTEMS INC.